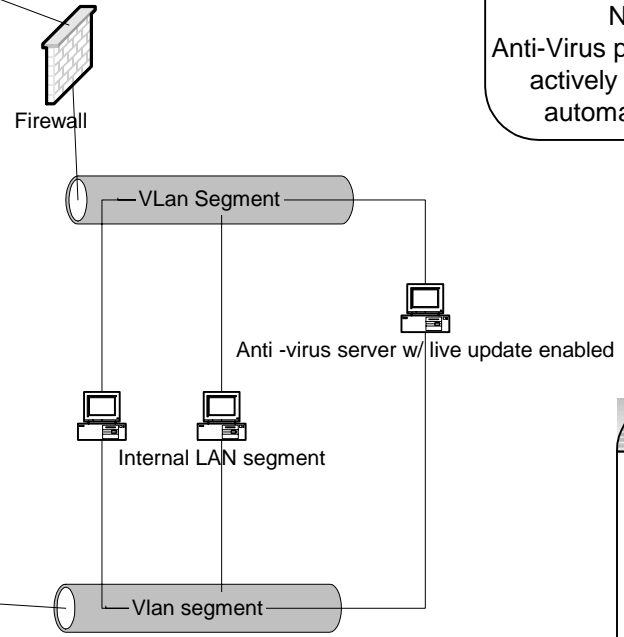
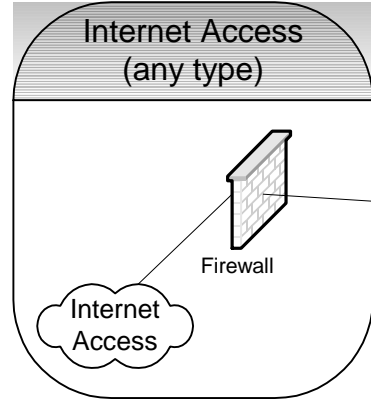


Anti-Virus

Anti-Virus protection must be ICSA Labs. certified as well as in compliance with NCIC 2000 standards. Anti-Virus protection must be installed and actively updated using some type of automated "live update" feature.



Firewalled Access

Filtered by IP address and specific port.(when possible)
IP addressing for the State of NH 's offerings will be provided.
Only traffic destined for the Dept. Safety's network offerings will be permitted to access the frame cloud.

Switched Ethernet Segments w/ VLANS

Ethernet segments depicted are two "virtually" separate switched environments.(ie:Different vlans with access lists applied to either the interface or the vlan.)
VLAN's must be "trunked" if the traffic is to traverse multiple switches.(VTP,802.1 encapsulation)

Only allowing traffic destined for the Dept. Safety to traverse the vlan.